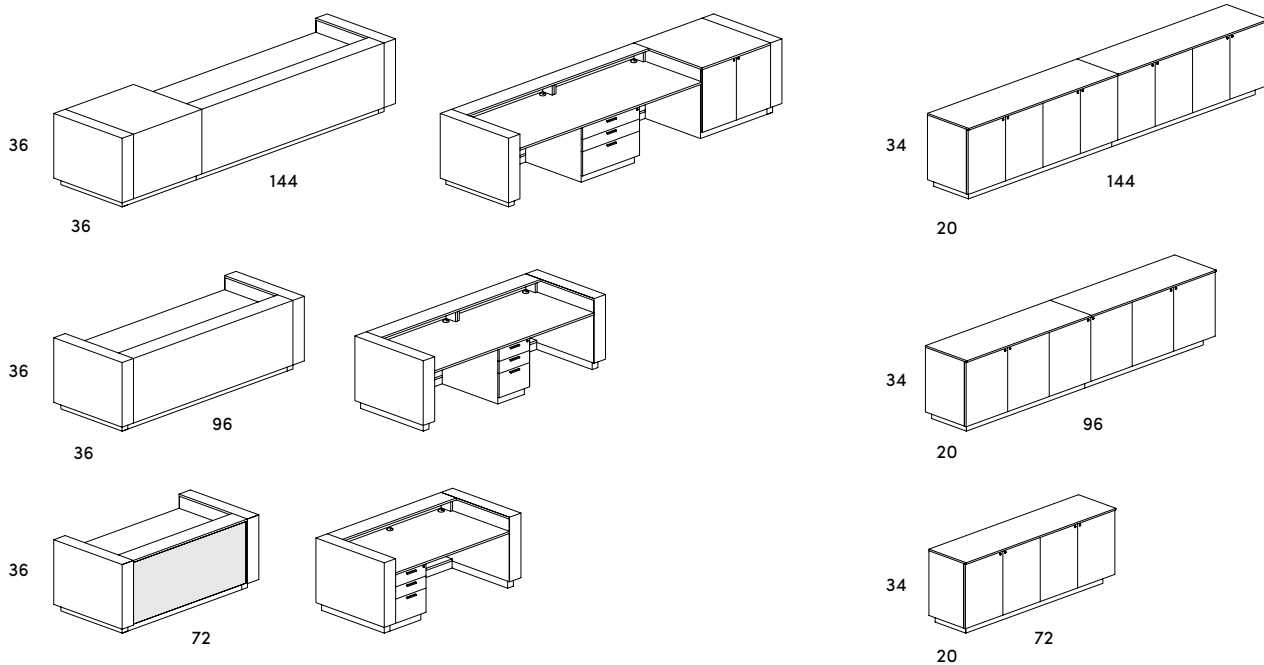


RECEPTION





Bold yet balanced. Contemporary styles with distinctive materials are available in keeping with the high visible image-shaping nature of the reception area. High Performance laminates can be paired with veneer or glass elements. Spacious single and dual-user designs provide ample storage and address technology. Explore the possibilities with “made-to-measure” or “built-to-spec” solutions.



72" Available with LED front panel