

READY

TABLES

Price Guide ◀

3.5% PRICE INCREASE
Effective March 1, 2011



TABLE OF CONTENTS

3	General Information
5	Product Specifications
6	Tables & Accessories
8	Layouts

Sales of In2design products are in accordance with the terms and conditions outlined in this Price List. These terms and conditions may be changed or supplemented only by a separately written document signed and by authorized in2design.

Prices

The prices published in this Price List, as well as those quoted by in2design shall be suggested List Prices. List Prices are subject to change without prior notice.

List Prices are those that are in effect at time of order receipt. If shipping date requested is more than 90 days from date of order, in2design shall have the right to use the published list prices effective at the time of shipment.

Taxes

All prices shown in this Price List are exclusive of sales, excise, GST and other applicable taxes. The Purchaser is responsible to remit directly to in2design all such taxes as per the invoice.

A Tax Exemption Certificate (if applicable) must be on file with in2design prior to the product shipment, otherwise, sales tax will be due and payable.

Payment Terms

All orders are invoiced at time of shipment. Terms of payment are NET thirty (30) days from date of invoice.

In2design shall exercise the right to enforce a charge amounting to 2% per month, or 24% annually on any past due invoice or outstanding balance.

All products sold shall remain the personal property of in2design until fully paid. The purchaser agrees to perform all acts which may be necessary to assure retention of title to such products to in2design until such time as the products have been paid in full.

Credit

Should the Purchaser fail to fulfill the terms of payment, in2design may defer further shipments until all such payments are made or may, at its option cancel the unshipped balance without prejudice to any other rights which in2design may have against the Purchaser.

Shipments and deliveries shall at all times be subject to approval of the Purchaser's credit.

Order Placement

In2design requires that all orders be submitted in writing as represented by a valid Purchase Order and accompanied by a layout/drawing to avoid errors and or duplication. The Purchaser is responsible for providing complete and accurate information when placing an order. Orders with incorrect/incomplete information will result in order processing and shipment delays. Product leadtimes will be based upon receipt of a complete and accurate Purchase Order.

Order Acknowledgement

All orders submitted will be acknowledged. It is the Purchaser's responsibility to review the acknowledgement for accuracy. In the event of an error, the Purchaser must notify in2design immediately (within 48 hours) in writing by fax or e-mail.

Delivery Dates

In2design shall exercise its best efforts to deliver within the date specified on the Acknowledgement. In2design shall not incur any obligation or liability to the Purchaser for delay or failure to deliver goods due to causes beyond our control.

Order Changes & Cancellations

Any changes to the original Purchase Order must be received in writing within 48 hrs of the order acknowledgement. Any change to the original Purchase Order beyond the 48 hrs will result in re-scheduling and subject to a restocking charge commensurate with the incurred production costs.

All orders are considered firm and not subject to cancellation by the Purchaser without the written consent of in2design. Special order items and COM items are not subject to changes or cancellation under any circumstances.

COM Orders

A request for non-standard material (laminates) must be approved prior to acceptance of an order. Material must be shipped prepaid to in2design Customer Service Team and properly identified. Performance of COM is the sole responsibility of the Purchaser.

Errors & Omissions

All quotations, acknowledgements and invoices are subject to corrections for any errors and omissions.

General Information

Shipping & Delivery

All products are sold F.O.B. in2design's Manufacturing Facility: Vaughan Ontario, unless otherwise stated and agreed.

The Purchaser will determine the method of transportation and the routing of shipment.

Shipping & Delivery

All deliveries will be dock-to-dock, unless otherwise specified.

Shipment Claims

In2design carefully prepares and inspects all products for safe shipment. Legal title to merchandise passes to the Purchaser upon acceptance by the carrier. **Inspect all cartons upon delivery.**

It is the responsibility of the Purchaser to examine goods upon receipt and to file any claims with the carrier for losses or damage to the product. Details of visible damage should be noted on the delivery receipt. Product shortages must be noted on delivery receipts at the time of delivery and immediately reported to the carrier for correction.

Failure to make any claims against in2design within 10 days shall constitute acceptance of the products and a waiver of any defects, errors or shortages discovered upon inspection.

Product Returns

No return of product will be accepted without the written consent of in2design. Any shipment returned without prior written approval will be refused and returned to the sender freight collect. If approved, a minimum restocking charge of 35% of the original net price shall be charged on returns for credit or refund provided the goods are received in original factory condition.

Storage

In the event the Purchaser requests postponement of the shipment beyond the scheduled delivery date, in2design, in2design may transfer product to storage at the Purchaser's risk and expense. Upon such transfer, the Purchaser assumes risk of loss or damage.

Product Warranty

In2design warrants its products to be free from defects in material and workmanship for a period of ten (10) years from the date of delivery. This warranty extends only to original Purchasers acquiring the product directly from Authorized Dealers and shall apply to product(s) installed by Authorized installers.

This warranty does not extend to C.O.M. applied to in2design products, or products which have been modified or installed contrary to recommended application and installation guidelines.

In2design will not authorize any warranty, parts or labour without the appropriate warranty numbers. All claims with respect to products alleged to be defective must be made within ten (10) days and submitted in writing.

This warranty excludes normal wear and tear, damages caused during shipment or storage; damage due to accident; improper use, negligence or willful abuse; unauthorized alterations or improper installation.

In2design extends no other warranties, expressed or implied, including warranty of merchantability or fitness for a particular purpose. In2design shall not be liable for loss of time, inconvenience, commercial loss, incidental or consequential damages.

Customer Satisfaction

Our goal is to provide the very best service to our customers and to ensure complete product and performance satisfaction. We will exercise our best efforts to achieve this goal.

Quality Standards

All in2design products are ANSI/BIFMA tested and manufactured to ISO 9001 Quality Standards.

Product Specifications

Tip Top Worksurface

All worksurfaces are available in thermally fused Melamine or High Pressure Laminate, in a vast selection of finishes.

Melamine worksurfaces measure 1" thick. High Pressure Laminate worksurfaces measure 1-1/16" thick. All edges of the worksurface are seamlessly finished with 3mm thick PVC edgebanding providing durability and user safety.

Cable Grommets

Grommets can be specified for the worksurface. Grommets can be installed in the right-hand, left-hand or centre positions. The grommet location must be indicated.

The plastic circular grommet measures 3.14" dia. Standard finish is silver.

Optional Power Port

An optional power port can be specified to provide convenient, worksurface height access to a power and voice/data.

Optional Modesty Panel

Optional Hinged Modesty panel is available. Modesty panel measures 4" high. Modesty Panel Hinged with Euro Hinges.

Tip-Top Frame/Base

Tip-Top Table Base is constructed from welded tubular steel for maximum strength and stability, Powder Coated in silver finish, Leg Runner is 1" by 2" by 13 gauge formed steel tube, Column is 2" diameter by 13 gauge, Cross-Bar is 1-1/2" diameter by 15 gauge, Folding Mechanism locks and releases using a single lever.



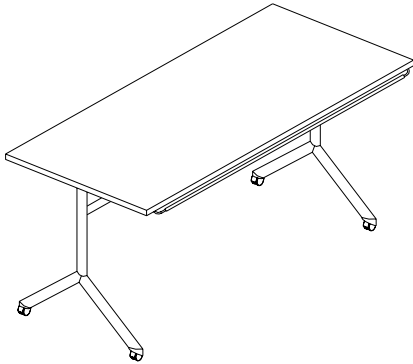
Casters

3" Twin wheel locking casters provide effortless movement for instant reconfiguration and transportation.

READY TIP TOP Tables

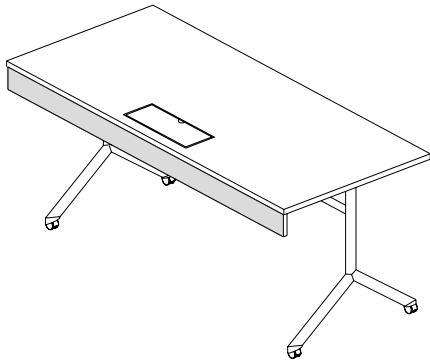
Description	Model Number	Dimensions W x D x H	ML Price	HPL Price
-------------	--------------	-------------------------	----------	-----------

Mobile Tip Top Tables



RT 4824	48 24 28-1/2	1088	1151
RT 5424	54 24 28-1/2	1125	1206
RT 6024	60 24 28-1/2	1175	1256
RT 6624	66 24 28-1/2	1259	1397
RT 7224	72 24 28-1/2	1276	1413
RT 7824	78 24 28-1/2	1309	1446
RT 4830	48 30 28-1/2	1122	1203
RT 5430	54 30 28-1/2	1166	1269
RT 6030	60 30 28-1/2	1216	1319
RT 6630	66 30 28-1/2	1299	1468
RT 7230	72 30 28-1/2	1316	1484
RT 7830	78 30 28-1/2	1349	1518

Optional Hinged Modesty Panel

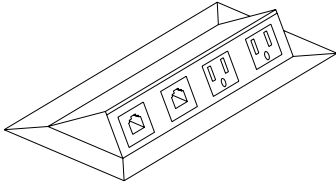


HMP 48	48 4	119
HMP 54	54 4	125
HMP 60	60 4	127
HMP 66	66 4	171
HMP 72	72 4	175
HMP 78	78 4	181

READY TIP TOP Tables

Description	Model Number	Dimensions W x D x H	List Price
-------------	--------------	-------------------------	------------

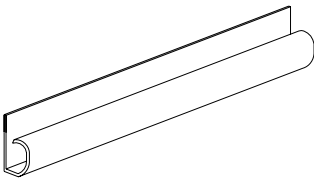
Power Centre



PC 2P2D	8-1/2	4-1/2	481
---------	-------	-------	-----

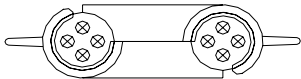
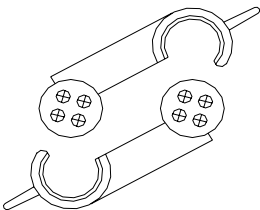
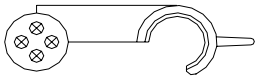
Additional Power and Voice/Data combinations available upon request

Wire Management Channel



JWM 12	12		24
JWM 18	18		36
JWM 24	24		48
JWM 30	30		60
JWM 36	36		72

Table Connector



TC 140	5-3/4	2	70
--------	-------	---	----

Snap together for easy connection of tables.
Price per set, 1 set consists of 4 pieces.

READY TIP TOP Tables

Table Layout 1	Qty	Model #	ML List Price	ML Ext	HPL List Price	HPL Ext
	5	RT 7224	\$ 1276	\$ 6380	\$ 1413	\$ 7065
		Total:		\$ 6380		\$ 7065



Table Layout 2	Qty	Model #	ML List Price	ML Ext	HPL List Price	HPL Ext
	2	RT 7224	\$ 1276	\$ 2552	\$ 1413	\$ 2826
	1	PC 2P2D	\$ 481	\$ 481	\$ 481	\$ 481
	4	RT 6024	\$ 1175	\$ 4700	\$ 1256	\$ 5024
		Total:		\$ 7733		\$ 8331



Table Layout 3	Qty	Model #	ML List Price	ML Ext	HPL List Price	HPL Ext
	4	RT 6024	\$ 1175	\$ 4700	\$ 1256	\$ 5024
		Total:		\$ 4700		\$ 5024



NOTES

